

Ürün açıklaması/Ürün resimleri



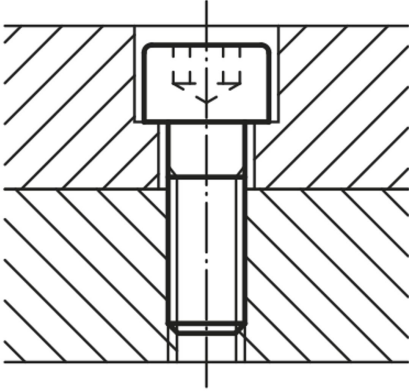
Açıklama

Malzeme:

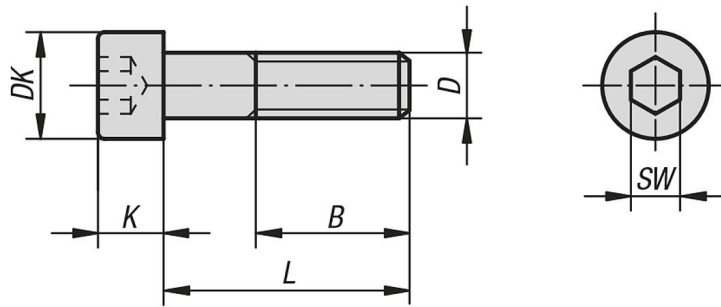
Çelik.

Model:

Çelik, mukavemet sınıfı 12.9, siyah.



Çizimler



Ürnlere genel bakış

Sipariş numarası	Sağlamlık sınıfı	D	L	B	DK	K	SW
07160-206X18	12.9	M6	18	24	10	6	5
07160-206X20	12.9	M6	20	24	10	6	5

Ürünler genel bakış

Sipariş numarası	Sağlamlık sınıfı	D	L	B	DK	K	SW
07160-206X25	12.9	M6	25	24	10	6	5
07160-206X30	12.9	M6	30	24	10	6	5
07160-206X35	12.9	M6	35	24	10	6	5
07160-206X40	12.9	M6	40	24	10	6	5
07160-206X45	12.9	M6	45	24	10	6	5
07160-206X50	12.9	M6	50	24	10	6	5
07160-206X55	12.9	M6	55	24	10	6	5
07160-206X60	12.9	M6	60	24	10	6	5
07160-206X65	12.9	M6	65	24	10	6	5
07160-206X70	12.9	M6	70	24	10	6	5
07160-206X80	12.9	M6	80	24	10	6	5
07160-206X90	12.9	M6	90	24	10	6	5
07160-206X100	12.9	M6	100	24	10	6	5
07160-208X20	12.9	M8	20	28	13	8	6
07160-208X25	12.9	M8	25	28	13	8	6
07160-208X30	12.9	M8	30	28	13	8	6
07160-208X35	12.9	M8	35	28	13	8	6
07160-208X40	12.9	M8	40	28	13	8	6
07160-208X45	12.9	M8	45	28	13	8	6
07160-208X50	12.9	M8	50	28	13	8	6
07160-208X55	12.9	M8	55	28	13	8	6
07160-208X60	12.9	M8	60	28	13	8	6
07160-208X65	12.9	M8	65	28	13	8	6
07160-208X70	12.9	M8	70	28	13	8	6
07160-208X80	12.9	M8	80	28	13	8	6
07160-208X90	12.9	M8	90	28	13	8	6
07160-208X100	12.9	M8	100	28	13	8	6
07160-208X120	12.9	M8	120	28	13	8	6
07160-210X30	12.9	M10	30	32	16	10	8
07160-210X35	12.9	M10	35	32	16	10	8
07160-210X40	12.9	M10	40	32	16	10	8
07160-210X45	12.9	M10	45	32	16	10	8
07160-210X50	12.9	M10	50	32	16	10	8
07160-210X55	12.9	M10	55	32	16	10	8
07160-210X60	12.9	M10	60	32	16	10	8
07160-210X65	12.9	M10	65	32	16	10	8
07160-210X70	12.9	M10	70	32	16	10	8
07160-210X75	12.9	M10	75	32	16	10	8
07160-210X80	12.9	M10	80	32	16	10	8
07160-210X90	12.9	M10	90	32	16	10	8
07160-210X100	12.9	M10	100	32	16	10	8
07160-210X110	12.9	M10	110	32	16	10	8
07160-210X120	12.9	M10	120	32	16	10	8
07160-210X130	12.9	M10	130	32	16	10	8
07160-210X140	12.9	M10	140	32	16	10	8
07160-212X30	12.9	M12	30	36	18	12	10
07160-212X35	12.9	M12	35	36	18	12	10
07160-212X40	12.9	M12	40	36	18	12	10
07160-212X45	12.9	M12	45	36	18	12	10
07160-212X50	12.9	M12	50	36	18	12	10
07160-212X55	12.9	M12	55	36	18	12	10
07160-212X60	12.9	M12	60	36	18	12	10
07160-212X65	12.9	M12	65	36	18	12	10
07160-212X70	12.9	M12	70	36	18	12	10
07160-212X75	12.9	M12	75	36	18	12	10
07160-212X80	12.9	M12	80	36	18	12	10
07160-212X90	12.9	M12	90	36	18	12	10
07160-212X100	12.9	M12	100	36	18	12	10
07160-212X110	12.9	M12	110	36	18	12	10
07160-212X120	12.9	M12	120	36	18	12	10
07160-212X130	12.9	M12	130	36	18	12	10
07160-212X140	12.9	M12	140	36	18	12	10
07160-216X35	12.9	M16	35	44	24	16	14
07160-216X40	12.9	M16	40	44	24	16	14
07160-216X45	12.9	M16	45	44	24	16	14
07160-216X50	12.9	M16	50	44	24	16	14

Ürünler genel bakış

Sipariş numarası	Sağlamlık sınıfı	D	L	B	DK	K	SW
07160-216X55	12.9	M16	55	44	24	16	14
07160-216X60	12.9	M16	60	44	24	16	14
07160-216X65	12.9	M16	65	44	24	16	14
07160-216X70	12.9	M16	70	44	24	16	14
07160-216X75	12.9	M16	75	44	24	16	14
07160-216X80	12.9	M16	80	44	24	16	14
07160-216X90	12.9	M16	90	44	24	16	14
07160-216X100	12.9	M16	100	44	24	16	14
07160-216X110	12.9	M16	110	44	24	16	14
07160-216X120	12.9	M16	120	44	24	16	14
07160-216X130	12.9	M16	130	44	24	16	14
07160-216X140	12.9	M16	140	44	24	16	14
07160-216X150	12.9	M16	150	44	24	16	14
07160-216X160	12.9	M16	160	44	24	16	14
07160-216X170	12.9	M16	170	44	24	16	14
07160-216X180	12.9	M16	180	44	24	16	14
07160-216X200	12.9	M16	200	44	24	16	14
07160-218X35	12.9	M18	35	48	27	18	14
07160-218X40	12.9	M18	40	48	27	18	14
07160-218X45	12.9	M18	45	48	27	18	14
07160-218X50	12.9	M18	50	48	27	18	14
07160-218X55	12.9	M18	55	48	27	18	14
07160-218X60	12.9	M18	60	48	27	18	14
07160-218X65	12.9	M18	65	48	27	18	14
07160-218X70	12.9	M18	70	48	27	18	14
07160-218X75	12.9	M18	75	48	27	18	14
07160-218X80	12.9	M18	80	48	27	18	14
07160-218X90	12.9	M18	90	48	27	18	14
07160-218X100	12.9	M18	100	48	27	18	14
07160-218X110	12.9	M18	110	48	27	18	14
07160-218X120	12.9	M18	120	48	27	18	14
07160-218X130	12.9	M18	130	48	27	18	14
07160-218X140	12.9	M18	140	48	27	18	14
07160-218X150	12.9	M18	150	48	27	18	14
07160-218X160	12.9	M18	160	48	27	18	14
07160-218X170	12.9	M18	170	48	27	18	14
07160-218X180	12.9	M18	180	48	27	18	14
07160-218X200	12.9	M18	200	48	27	18	14
07160-220X40	12.9	M20	40	52	30	20	17
07160-220X45	12.9	M20	45	52	30	20	17
07160-220X50	12.9	M20	50	52	30	20	17
07160-220X55	12.9	M20	55	52	30	20	17
07160-220X60	12.9	M20	60	52	30	20	17
07160-220X65	12.9	M20	65	52	30	20	17
07160-220X70	12.9	M20	70	52	30	20	17
07160-220X75	12.9	M20	75	52	30	20	17
07160-220X80	12.9	M20	80	52	30	20	17
07160-220X90	12.9	M20	90	52	30	20	17
07160-220X100	12.9	M20	100	52	30	20	17
07160-220X110	12.9	M20	110	52	30	20	17
07160-220X120	12.9	M20	120	52	30	20	17
07160-220X130	12.9	M20	130	52	30	20	17
07160-220X140	12.9	M20	140	52	30	20	17
07160-220X150	12.9	M20	150	52	30	20	17
07160-220X160	12.9	M20	160	52	30	20	17
07160-220X170	12.9	M20	170	52	30	20	17
07160-220X180	12.9	M20	180	52	30	20	17
07160-220X200	12.9	M20	200	52	30	20	17

Ürünlere genel bakış
